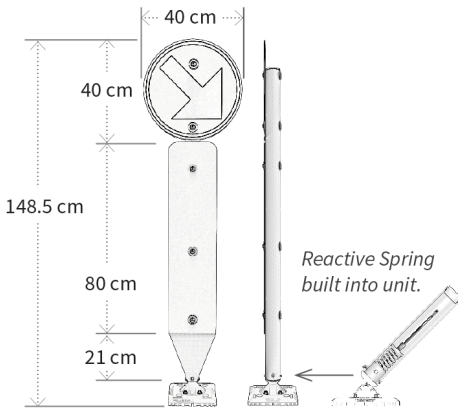




## TECHNISCHE FICHE



### Dimensions:

**Overall:** 40cm x 148.5cm  
**Circle:** 40cm x 40cm  
**Panel:** 20cm x 101cm  
**Reflective Sheet:** 20cm x 80cm  
**Post:** 140cm (6cm Diameter)

Tel.: +32 (0)495 56 64 26



www.kickback.be  
 info@kickback.be

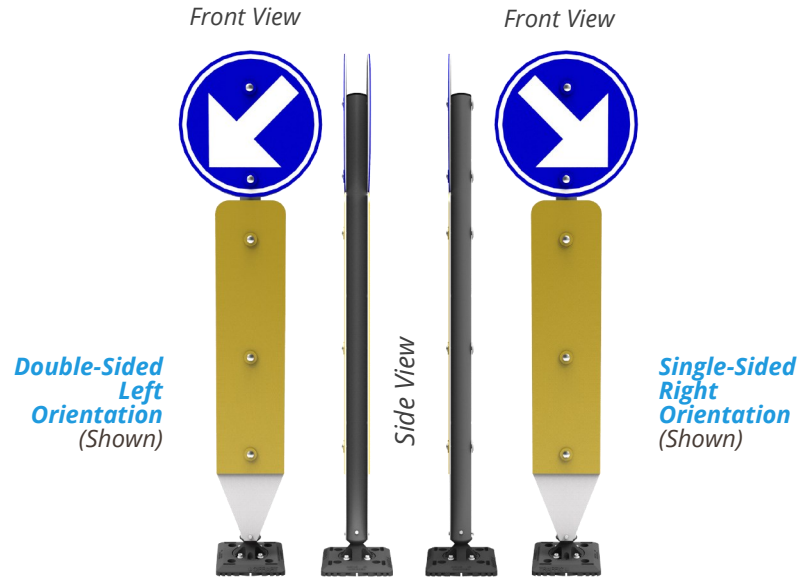


PANACHE TRAFFIC SAFETY  
 Klappijstraat 112,  
 3294 Molenstede



## GLARE SHIELD SYSTEM

### TRAFFIC SPEC-GLS-D1



## FEATURES

- **Yields Fully** upon impact
- **Anti-Twist Reactive Spring** assembly returns unit to upright position when struck.
- **3M™ Retro-Reflective Sheeting**
- **Durable HDPE Plastic** is resistant to ozone, UV light & hydrocarbons.
- **Single or Double-Sided**
- **Left or Right orientation**

## SPECIFICATIONS

### Sign

**Circle:** D1 circle  
**Orientation:** Left of Right Arrow  
**Sides:** Single or double sided options

### Panels

**Material:** Flexible HDPE Plastic  
**Color:** Grey

### Post

**Material:** Flexible HDPE Plastic  
**Color:** Grey  
**Size:** 140cm height (6cm OD)  
**Post Top:** Black Cap (Plastic)

### Reactive Spring

**Type:** Fixed or Quick Release

### Reflective Sheeting

**Genuine 3M™ Sheeting:**

- 3M High-Intensity sheeting or
- 3M Diamond grade
- Shield Sheeting Color:**
- Yellow
- Fluorescent yellow-green or
- White
- Circle Sheeting Color:**
- White sheeting (Blue ink)

## RECOMMENDED USE

- Ideal for islands and curbs to direct traffic.
- Use as warning sign.
- Take care to avoid creating a trip hazard when using any sign near pedestrian traffic.

## BASE OPTIONS

Base and base mounting hardware is sold separately.

### One Base®

Portable Quick Release Base

- Black recycled rubber
- 86cm x 36cm x 5cm

### Surface Mount Base

Fixed or Quick Release

- Durable HDPE plastic
- 20cm x 20cm x 2.5cm
- Installs with anchor kit or epoxy