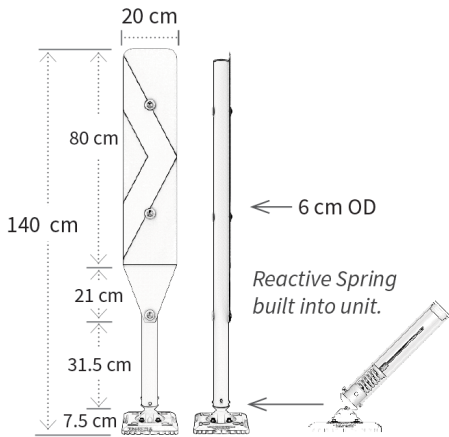




7 (& + 1 - 6 & + () - & +



8]a Ybg]cbg
Cj YfU: 20cm x 140cm
DUbY: 20cm x 101cm (21cm
 bib) **FYZYVmj Y'G'YYh**: 20cm
 x 80cm **Dcgh**: 140cm (6cm
 Diameter)

7HO



ZZZ NLFNEDFN EH
 LQIR#NLFNEDFN/EH

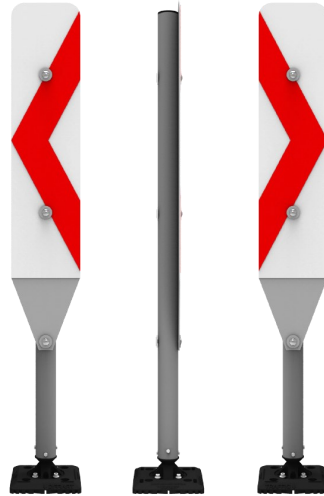


3\$1\$&+(75\$)) - & 6\$1\$7 <
 .ODSSLMVWUDDAW
 0ROHQVWHGH



J 9F 9B 8 'J 9F ? 99F G6CF 8 '
 7 < 9J FCB 'GD97!7 <! BH

J cc fUUbn]Vh Nj/Ubn]Vh J cc fUUbn]Vh



x r YHU Impact
 \$QWL 7ZLVW UHDFWLHYH
 voor terugverende kracht na
 impact
 inks of rechts geori nteerd

'XXU]DDP +'3(S:ODVWLF
 bestand tegen ozon, UV-licht en
 koolwaterstoffen
 Voorzien van 0
 UHWURUHIOHFWLHYH IRO
 x Getest conform (1

GD97 : 75H 9G

G]b
Cf]YbUH]cb: Left or Right arrow
G]Xyg: Single sided

DUbY'g
A UHYf]U: Flexible HDPE Plastic
7c'cf: Grey

Dcgh
A UHYf]U: Flexible HDPE Plastic
7c'cf: Grey
G]nY: 140cm height (6cm OD)
DcghHcd: Black Cap (Plastic)

FYUM]j Y'Gdf]b
HndY: Fixed, Quick Release or
 Driva-ble

FYZYVmj Y'G'YYh]b
 ; Ybi]bY' A 'G'YYh]b

- 3M High-Intensity sheeting
cf
- 3M Diamond grade
G'YYh]b: 7c'cf: White
b_7c'cf: Red

BESCHRI VI G

- Ideal for use in delineating
 sharp curves and obstructions
 in the roadway.

VOE PL OP IES

Voetplaat en voetplaatbevestiging
 worden afzonderlijk verkocht.

7\SH

9DVW RI VQHONRSSHOLQJ
 v 'XXU]DDP +'3(3ODVWLF
 v FP [FP [FP
 v 6QHOOH LQVWDOODWLH
 RI WZHH FRPSRQHQWHQ

'UDDJEDDU

v JHUHF\FOHHUG UXEE
 v FP [FP [FP
 v NJ